



The connection to perfection

ECS Electronics UK  
20 Speedwell Close  
Huntington  
Chester, CH3 6DX  
United Kingdom  
Tel.: +44 (0) 7590 564639  
Email: [uksales@ecs-electronics.com](mailto:uksales@ecs-electronics.com)  
[www.ecs-electronicsuk.co.uk](http://www.ecs-electronicsuk.co.uk)



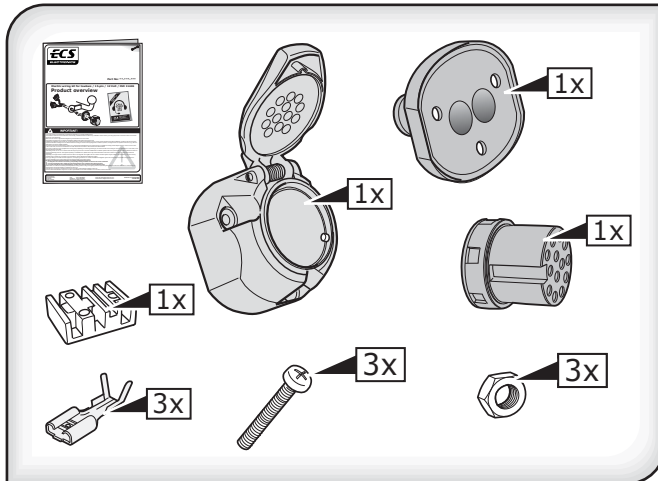
The connection to perfection

ECS Electronics UK  
20 Speedwell Close  
Huntington  
Chester, CH3 6DX  
United Kingdom  
Tel.: +44 (0) 7590 564639  
Email: [uksales@ecs-electronics.com](mailto:uksales@ecs-electronics.com)  
[www.ecs-electronicsuk.co.uk](http://www.ecs-electronicsuk.co.uk)



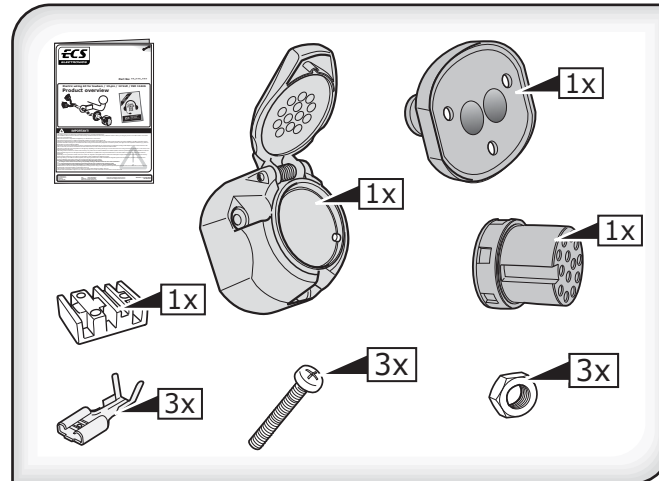
The connection to perfection

ECS Electronics UK  
20 Speedwell Close  
Huntington  
Chester, CH3 6DX  
United Kingdom  
Tel.: +44 (0) 7590 564639  
Email: [uksales@ecs-electronics.com](mailto:uksales@ecs-electronics.com)  
[www.ecs-electronicsuk.co.uk](http://www.ecs-electronicsuk.co.uk)



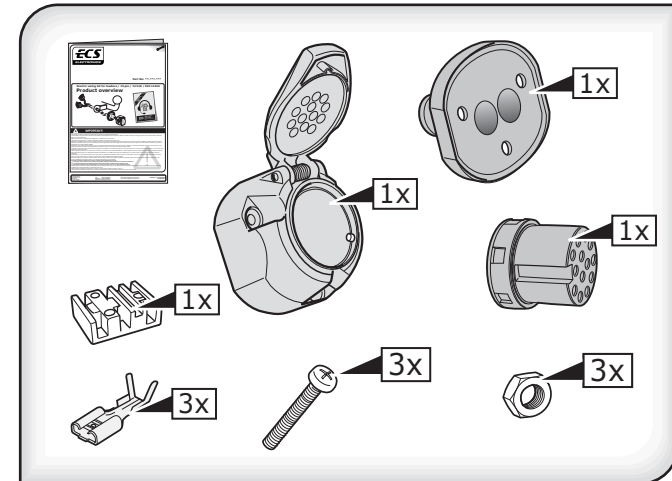
13 pin DIN socket with screw connection, 3 pin water-tight Cherry micro left side switch and mounting parts. According to Din 11446

**SP-004-ZZU**



13 pin DIN socket with screw connection, 3 pin water-tight Cherry micro left side switch and mounting parts. According to Din 11446

**SP-004-ZZU**



13 pin DIN socket with screw connection, 3 pin water-tight Cherry micro left side switch and mounting parts. According to Din 11446

**SP-004-ZZU**